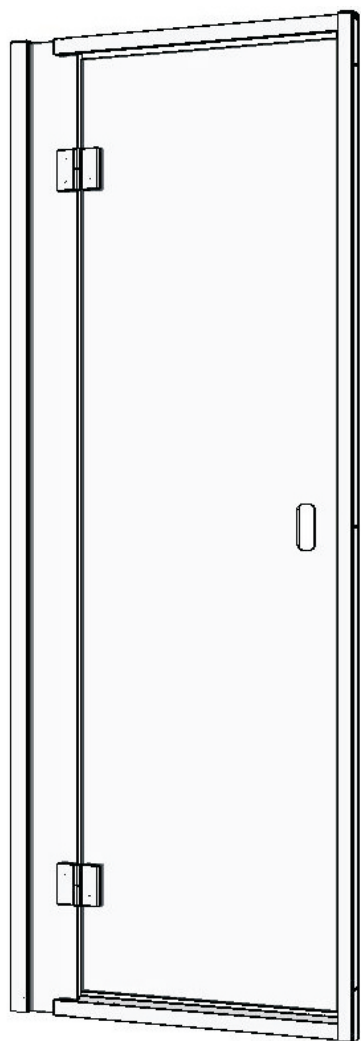


Please read these instructions throughout before installing as incorrect fitting will invalidate the guarantee.

If you are unsure about these instructions please contact Kudos Shower Products 01539 564040

HEALTH & SAFETY WARNING

DUE TO THE WEIGHT & SIZE OF THE GLASS PANEL(S) A MINIMUM OF TWO PERSONS ARE REQUIRED TO MOVE AND INSTALL THIS ENCLOSURE



These instructions show a left hand hinged door.

If you are installing a right hand hinge door, this is a mirror image of the stages shown within these instructions.

IMPORTANT

Check appearance of all product - any defects must be reported to Kudos Shower Products before assembly/installation. Claims for imperfections will only be accepted prior to assembly/installation

Any claims made under the terms of the Lifetime Guarantee must be reported to Kudos within 21 days of the fault occurring

Check the enclosure adjustment sizes are suitable for your installation

Use care when drilling into the walls to avoid hidden pipes or electric cables

THESE INSTRUCTIONS ARE TO BE LEFT WITH THE CONSUMER

CLEANING - general

For the wall post and fixings use only warm soapy water and damp cloth/ sponge on a regular basis. After cleaning please rinse with clean water to remove any residue.

Do not use abrasive scouring powders, chemicals or aerosol cleaners - these may result in damage to the surfaces, in particular, the plated component parts.

KUDOS LIFESHIELD GLASS TREATMENT

The glass panels are pre-treated with Life Shield on the inside surfaces only.

Whilst this makes cleaning the glass easier and helps prevent the build up of harmful lime-scale and soap deposits, the glass still needs to be maintained on a regular basis. We recommend the use of a detergent and aroma free glass cleaner (A 50/50 mix of white vinegar and water works well)

DO NOT use strong detergents, abrasive cleaners or abrasive scrubbing equipment for cleaning, these can damage the coating.

DO use a squeegee to remove remaining droplets of water from glass after showering, any build up of residue can be removed easily using an appropriate cleaner and agitation from soft cleaning equipment

TOOLS REQUIRED

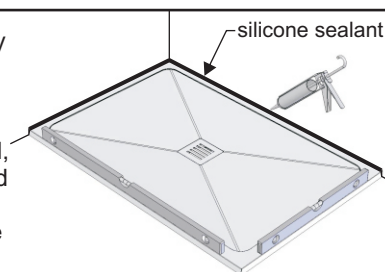
Pozi-head Screwdriver	Mains or Battery Drill
Tape Measure	7mm Drill Bit
Spirit Level	Pencil
3mm Allen Key - <i>supplied</i>	Sealant Gun
Craft knife	
Silicone Sealant - <i>we recommend clear silicone</i>	
Wall fixings - <i>fixings supplied are for masonry use only</i>	

NB - due to the manufacturing tolerances for safety glass, it may be necessary to make the adjustments described in **stage 6** of these instructions to achieve the correct closing action.

SHOWERTRAY

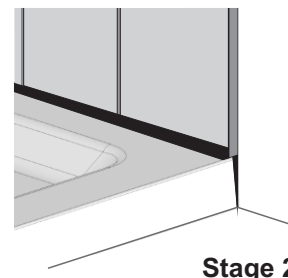
Ensure the top of shower tray is **LEVEL** in **ALL** directions

Once the tray is installed but **before** the wall tiles are fitted, any gap between the tray and the walls **must** be filled with silicone sealant flush with the top of the tray.



Once the walls have been tiled but **before** the enclosure is installed, the tiles **must** be silicone sealed to the tray all of the way around in one continuous bead.

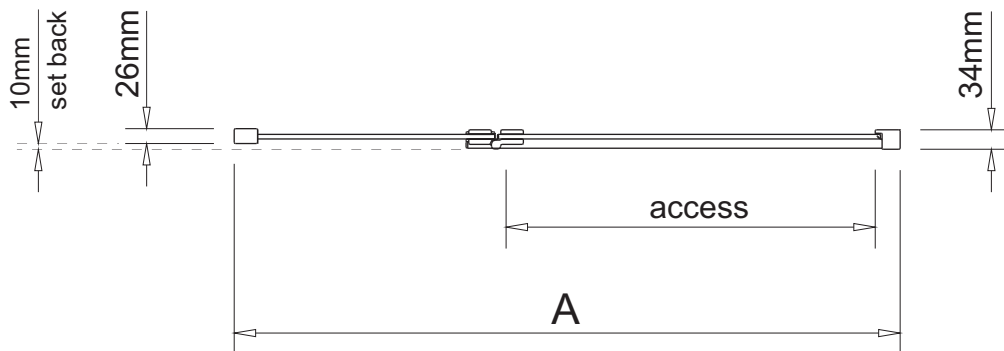
Failure to follow these instructions will result in leakage problems



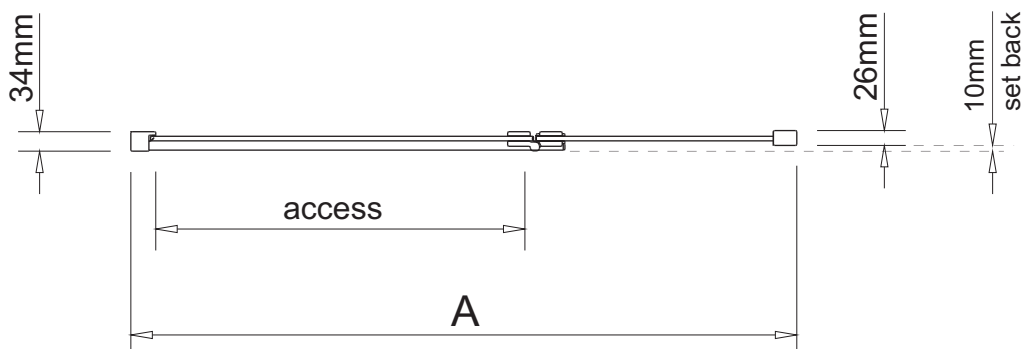
PRODUCT SIZES and ADJUSTMENTS

PRODUCT	PACK CODES Left Hand		PACK CODES Right Hand		Dimensions mm
	In-line panel pack	Hinge door pack	In-line panel pack	Hinge door pack	A
HINGED DOOR for RECESS					
760	HIP-L/H-A	HDR-L/H-A	HIP-R/H-A	HDR-R/H-A	725 to 765
800	HIP-L/H-A	HDR-L/H-B	HIP-R/H-A	HDR-R/H-B	765 to 805
900	HIP-L/H-A	HDR-L/H-C	HIP-R/H-A	HDR-R/H-C	865 to 905
1000	HIP-L/H-B	HDR-L/H-C	HIP-R/H-B	HDR-R/H-C	965 to 1005
1200	HIP-L/H-D	HDR-L/H-C	HIP-R/H-D	HDR-R/H-C	1165 to 1205
1400	HIP-L/H-F	HDR-L/H-C	HIP-R/H-F	HDR-R/H-C	1365 to 1405
1500	HIP-L/H-G	HDR-L/H-C	HIP-R/H-G	HDR-R/H-C	1465 to 1505

ENCLOSURE HEIGHT = 2000mm

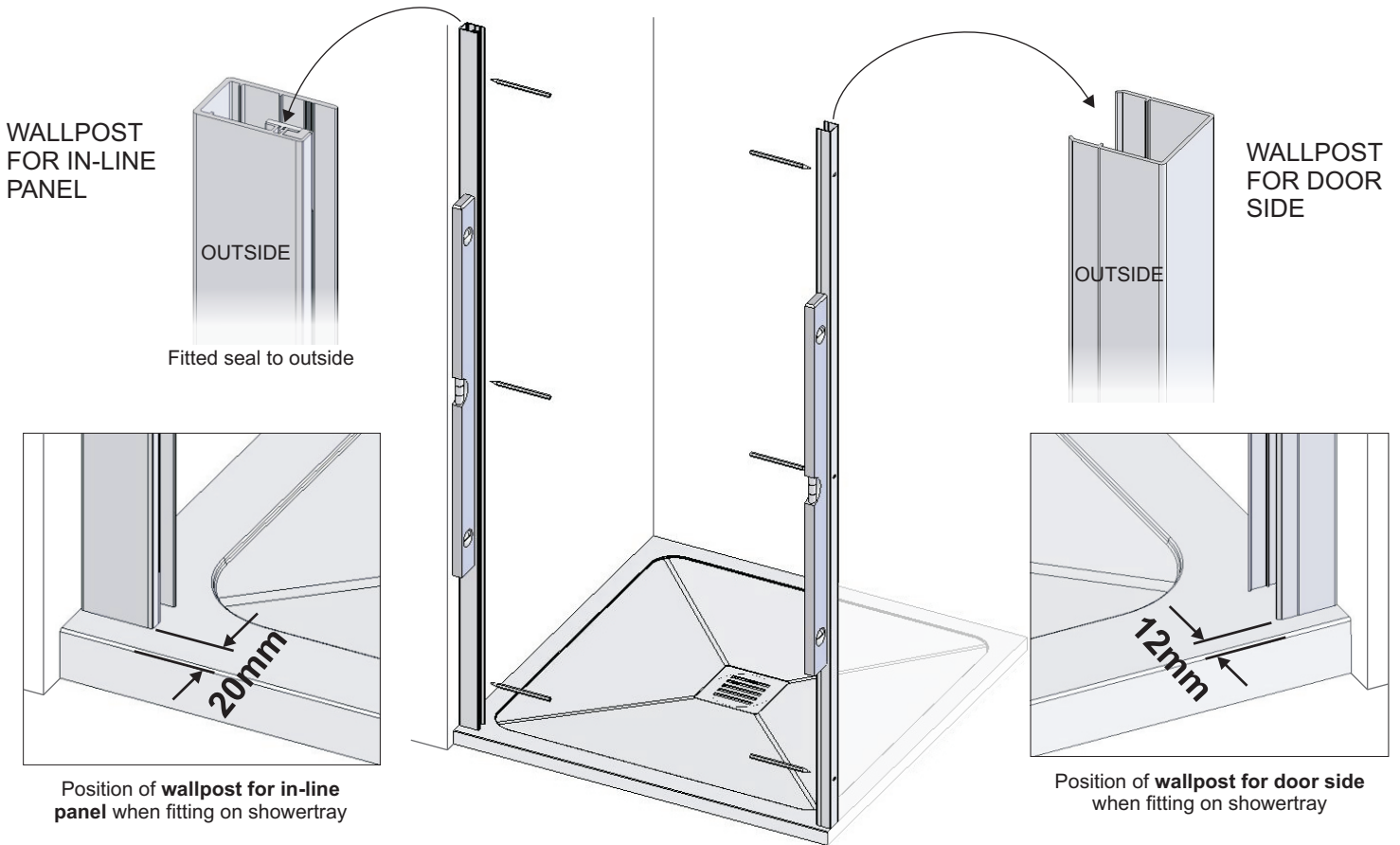


Left hand hinged installation



Right hand hinged installation

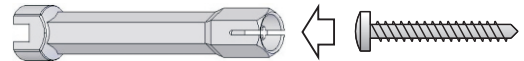
1 FIT WALLPOSTS TO WALLS



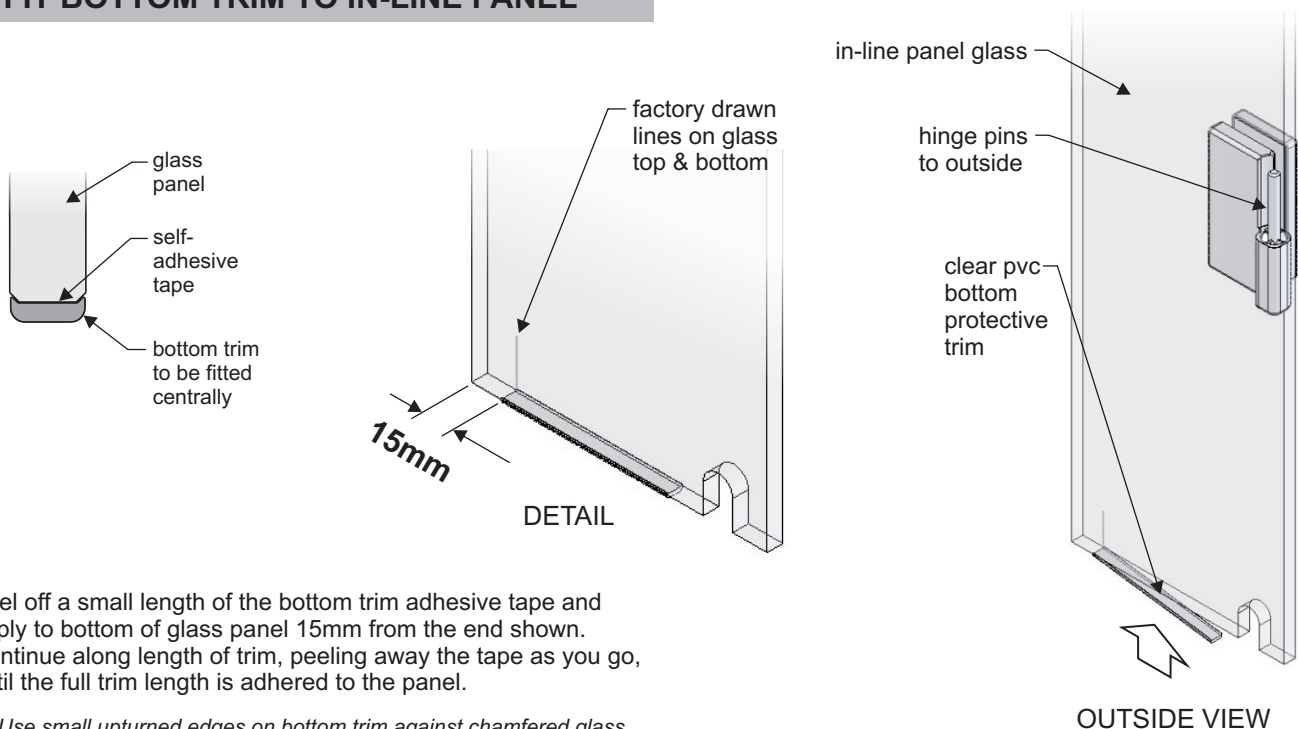
- Position **wallpost for in-line panel** (with fitted seal to outside), **20mm** in from front edge of tray, as shown above. Using spirit level to ensure wallpost is vertical, mark through three slotted holes onto wall surface and remove wallpost.
- Using 7mm drill bit, drill holes in walls to centre of slotted marks made and fit rawplugs supplied or fixings suitable for the construction of the wall.
- Fix wallpost to wall using 3x no.8's x 30mm long screws provided. Tighten all screws using pozi-head screwdriver.

- Repeat to fit **wallpost for door side**, positioning this wallpost **12mm** in from edge of tray, as shown above.

TIP Apply a bead of silicone sealant around bottom & centre holes made in wall before fixing wallposts to wall. Insert screw heads into the wizard tool supplied to aid insertion of screws into wall plugs.



2 FIT BOTTOM TRIM TO IN-LINE PANEL



- Peel off a small length of the bottom trim adhesive tape and apply to bottom of glass panel 15mm from the end shown. Continue along length of trim, peeling away the tape as you go, until the full trim length is adhered to the panel.

TIP Use small upturned edges on bottom trim against chamfered glass edges to ensure trim is fitted centrally.

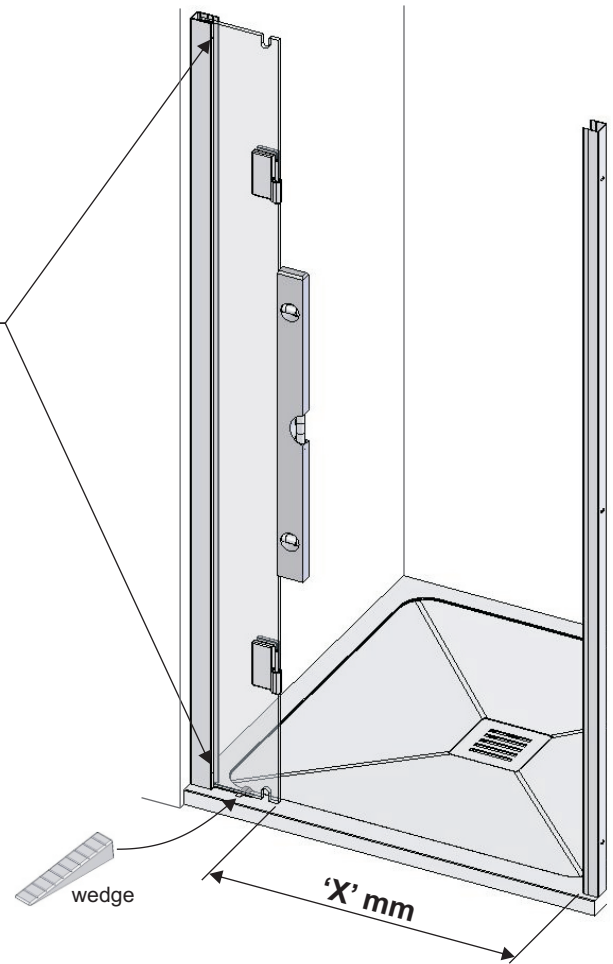
3 FIT IN-LINE PANEL GLASS

IMPORTANT

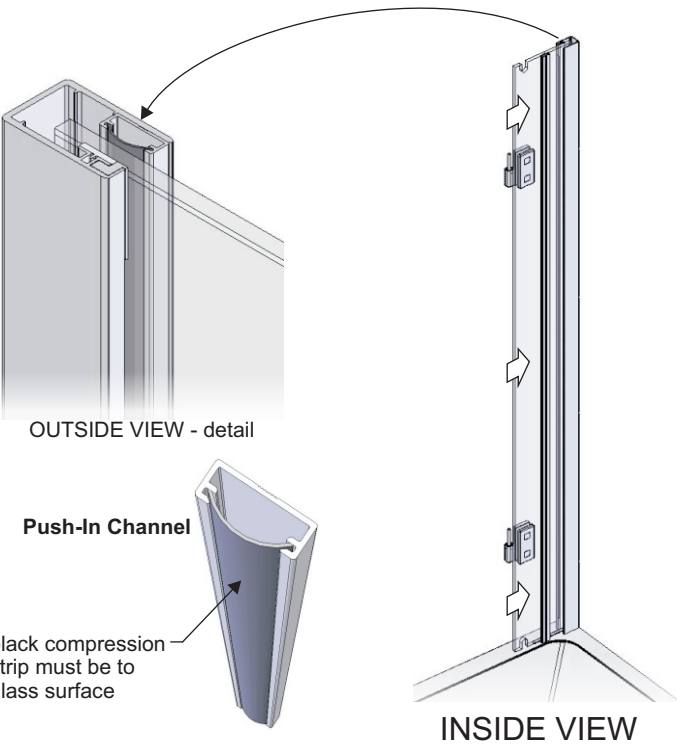
Ensure factory drawn lines at top & bottom of in-line glass panel do not extend beyond face of wallpost when setting to dimensions.

- CAREFULLY fit glass panel into slot in wallpost, ensuring panel is parallel to tray edge.
- Position edge of in-line panel 'X' mm to the door side wallpost, as shown - refer to table below for your door size.
Ensure factory drawn lines on glass do not extend beyond front face of wallpost when setting to dimensions.
- Ensure outer edge of in-line panel is vertical, as shown, using spirit level. If necessary, use small wedge supplied underneath glass panel to aid levelling - insert this from the inside.

Door size (nominal)	'X' dimension
760	540 to 560mm
800	580 to 600mm
900 / 1000 / 1200 / 1400 / 1500	680 to 700mm



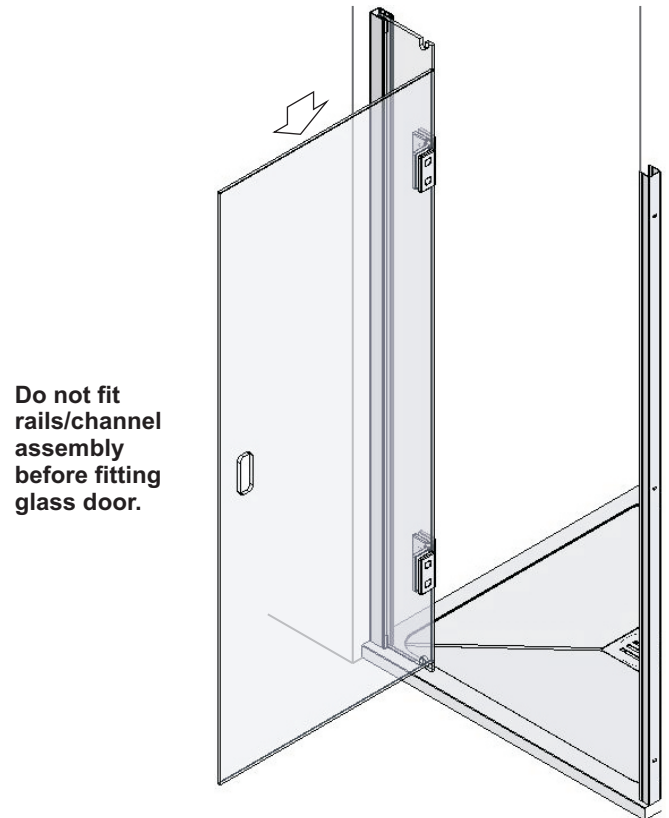
4 FIT PUSH-IN CHANNEL INTO WALLPOST



- From inside the enclosure, place the push-in channel (black strip towards glass) against the glass, starting from the bottom, insert into wallpost. Ensure this is fully inserted so that the channel is flush with surface of wallpost along the entire height.

TIP Push-in channel can be removed, if necessary, by inserting tool supplied or allen key to pull the channel out at top.

5 FIT DOOR ONTO IN-LINE PANEL HINGES

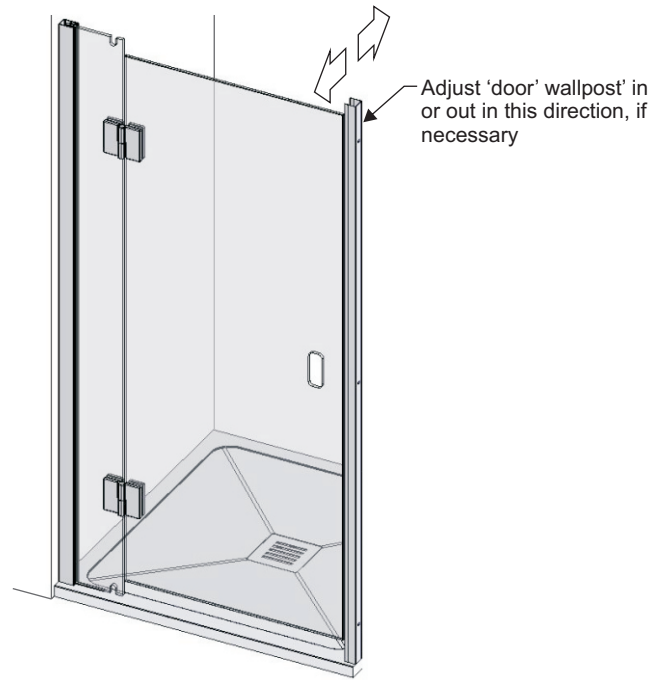


- Carefully lift door and fit door hinges onto hinge pins of in-line panel.

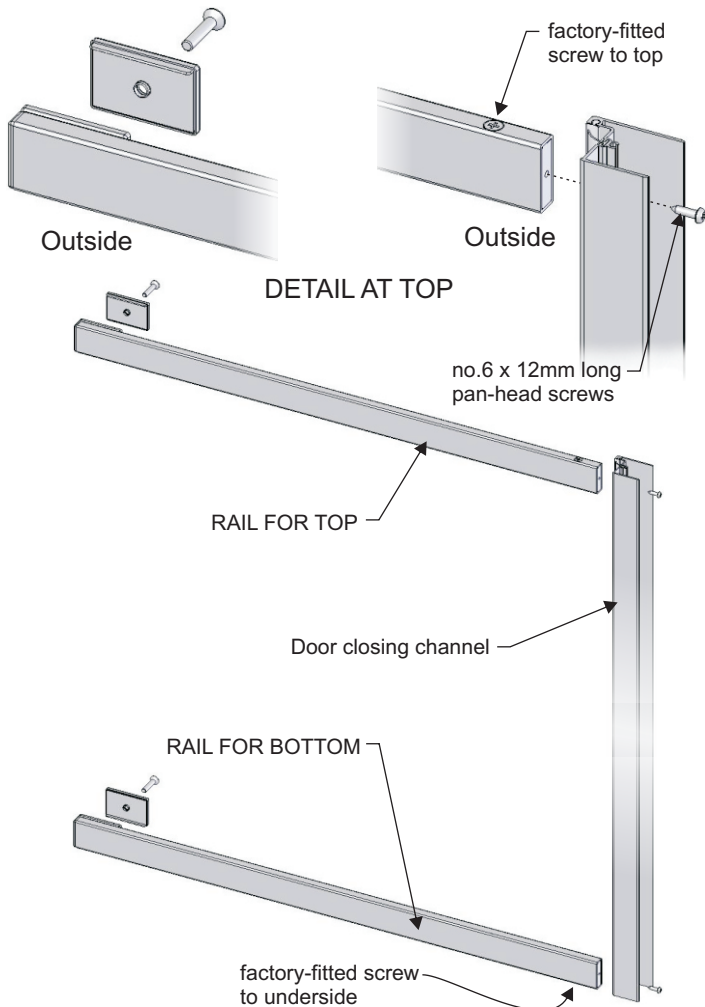
! As stated on the front cover of these instructions, a minimum of two persons are required to install this product.

6 CHECK DOOR ALIGNMENT - in to out

- Close the door so that bottom edge is parallel to the showertray.
- Check that the leading vertical edge of door glass (on handle side) is in alignment, in-to-out, with 'door' wallpost from top to bottom.
- If not, the 'door' wallpost can be adjusted using the slots in the wallpost.
Loosen the wall screws and re-align the wallpost to suit the verticality of the door glass when in closed position.
Re-tighten wall screws when completed.
The distance from bottom of wallpost to edge of tray must remain at 12mm as stated in *stage 1*.

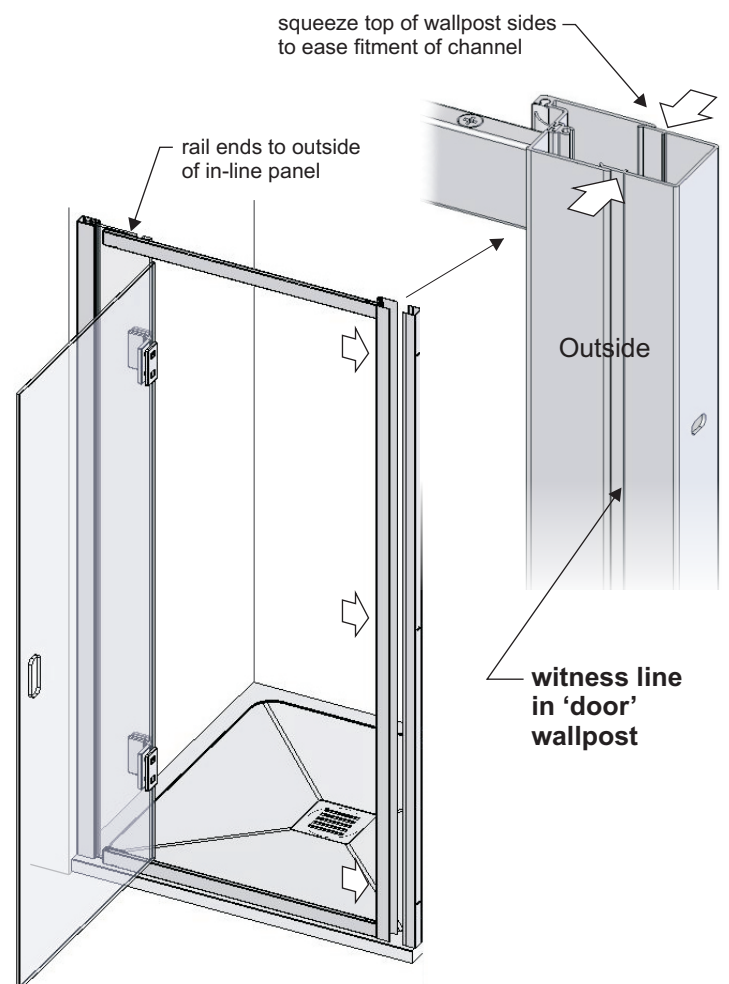


7 ASSEMBLE RAIL AND CHANNEL



- Remove inner clamp plates from rail ends using 3mm allen key supplied and store these in a safe place.
- The rails are handed to suit both l/h & r/h hinged doors. Select the correct rail to fit to bottom of enclosure - diagrams here show rail for top and rail for bottom for left hand hinged door.
- Fix rails to top & bottom of door closing channel as shown, using no.6 x 12mm long pan-head screws supplied, through pre-drilled holes in channel. Screws must be fully tightened. Ensure rails are flush to top and bottom of channel.

8 FIT RAIL & CHANNEL ASSEMBLY

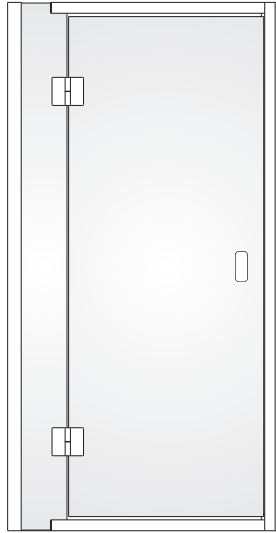


- Carefully lift assembled rails and channel onto tray ensuring rails are either side of door glass and rail ends are to outside of in-line panel.
- Starting at top, push-fit channel OVER the 'door' wallpost, working down the channel to secure in place.
- Adjust rails/channel so that holes at rail ends line up with notches in in-line panel.

TIP Using finger and thumb, squeeze top of wallpost sides inwards to aid fitment of channel over wallpost then push-fit channel over full height.

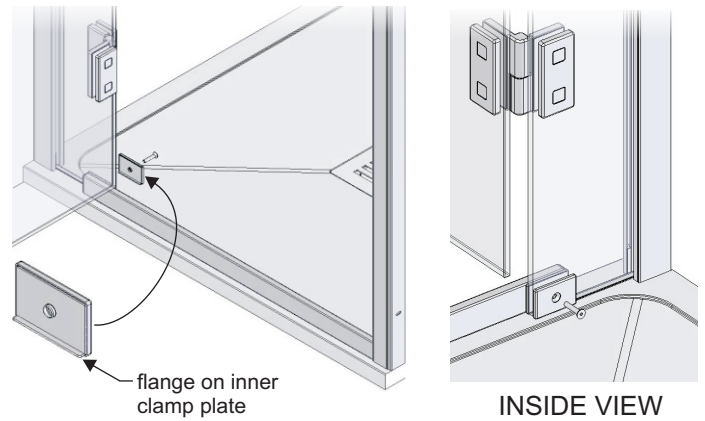
9 ADJUST IN-LINE PANEL (if necessary)

- If it is not possible to fit the inner clamps through the notches in the in-line glass panel then the in-line panel will need to be adjusted:
- Remove the rails/channel assembly. Remove the door glass. Remove the push-in channel from the wallpost and re-adjust the in-line glass panel (in or out of the wallpost as necessary) ensuring this remains vertical when re-inserting the push-in channel.
- Repeat stages to re-fit door glass and rails/channel assembly.



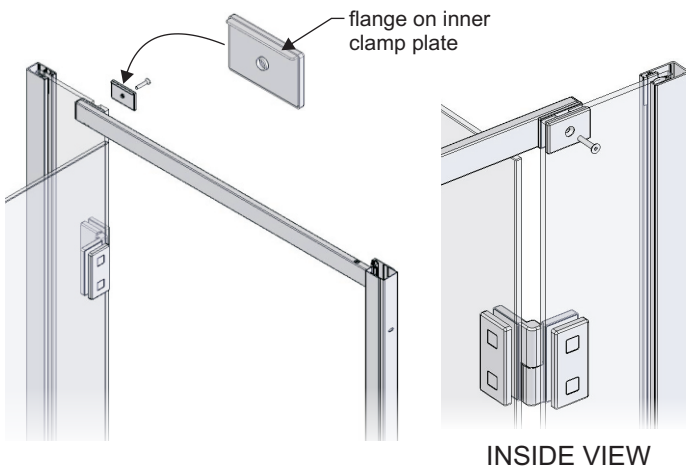
Ensure the drawn lines on in-line panel are not visible and the witness line on 'door' wallpost (refer to stage 8) is also not visible.

10 FIT BOTTOM INNER CLAMP



- Remove wedge (if used) from underside of in-line panel.
- Fit rail end to in-line panel using inner clamp plate and screw, removed at stage 7, through notch in panel. Ensure flange on clamp plate is to bottom and edge of clamp plate lines up with edge of in-line panel. Rail must sit tight onto showertray.

11 FIT TOP INNER CLAMP

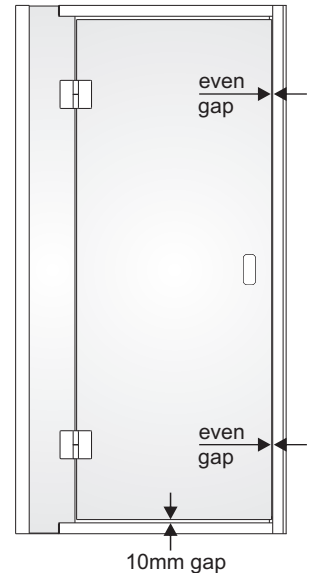


- Fit rail end to in-line panel using inner clamp plate and screw, removed at stage 7, through notch in panel. Ensure flange on clamp plate sits on top of glass panel and edge of clamp plate lines up with edge of in-line panel.

12 CHECK DOOR ALIGNMENT

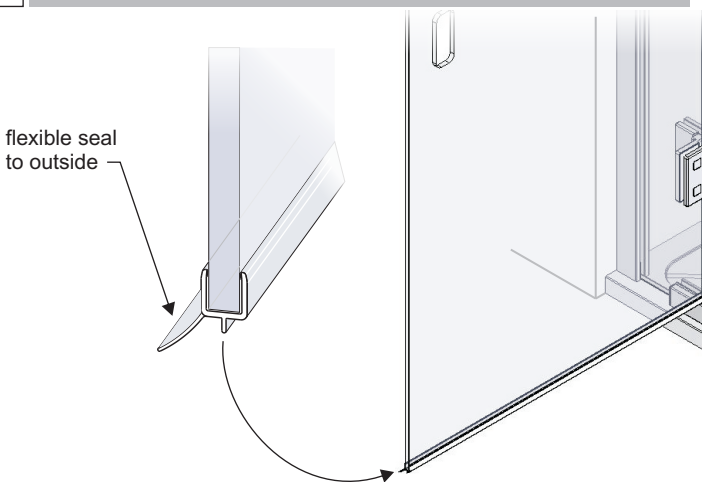
Close the door and check this is square to the opening:

- The gap between door glass and channel should be even all the way up. The gap between bottom edge of door glass and bottom rail should be approx. 10mm all the way across. If gaps are uneven re-check the following:
- Check level of tray - front page. Check channel is straight from top to bottom. Check vertical edge of In-line panel - stage 3. Check rail inner clamps are in line with in-line panel glass - stages 10 & 11.



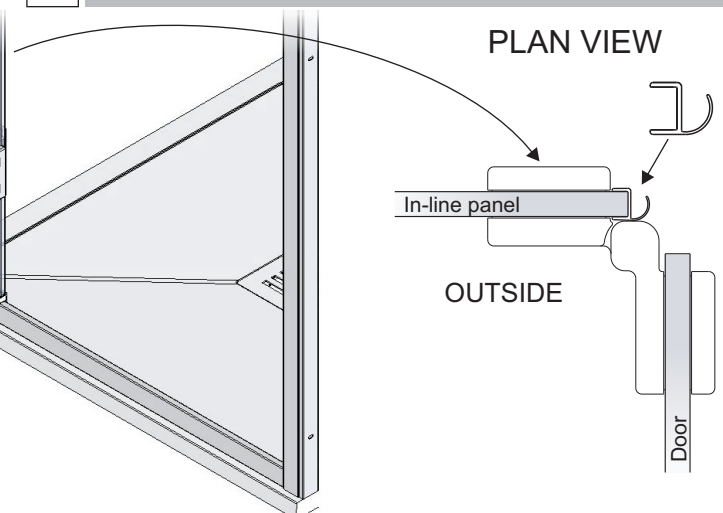
⚠ Do not attempt to tamper with the factory-fitted hinges, as this will invalidate the guarantee.

13 FIT SEAL TO BOTTOM OF DOOR



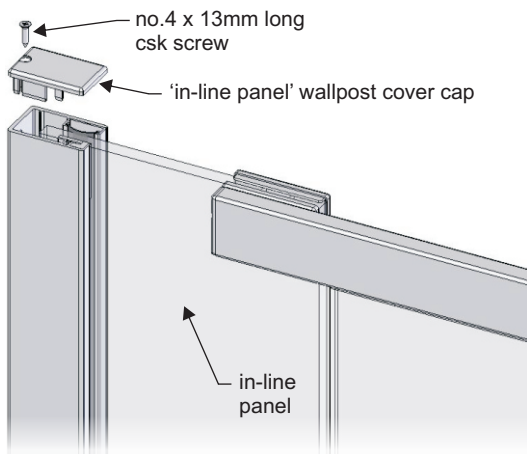
- Fit seal to bottom of door glass as shown, ensuring this is pushed **fully** onto bottom of glass.

14 FIT VERTICAL SEAL TO IN-LINE PANEL

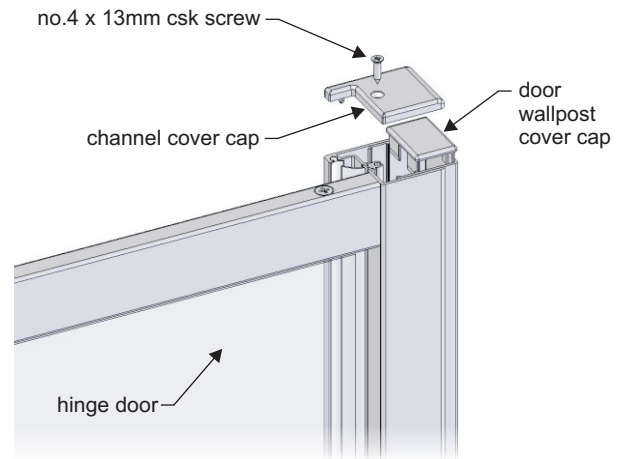


- Fit vertical seal to edge of in-line panel as shown.

15 FIT WALLPOST COVER CAPS



- Push fit cover cap into 'in-line' panel wallpost and secure using no.4 x13mm long csk screw provided.
- IMPORTANT: this wallpost cover cap features integral locking tabs for safety reasons - failure to fit this cover cap will invalidate the guarantee.**



- Push fit wallpost cover cap into top of 'door' wallpost.
- Push fit channel cover cap into top of channel and secure using no.4 x 13mm long screw provided.

16 SILICONE SEAL ENCLOSURE

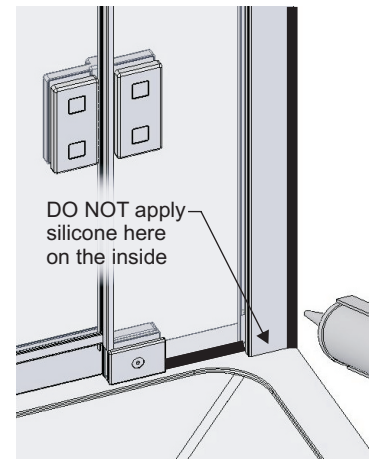


OUTSIDE Enclosure

- Silicone seal wallposts to walls and over full width of enclosure to showertray at bottom.
- **Detail A**
Seal up rail end to channel.
Seal up juncture of rail end to in-line panel glass.

INSIDE Enclosure

- **Detail B**
Silicone seal wallposts vertically to walls, and ONLY the glass panel to the tray.
DO NOT seal bottom of wallposts or rail to TRAY on inside.



INSIDE - Detail B



OUTSIDE - Detail A

Allow 24hrs for silicone to fully cure before using the enclosure.

- When installed correctly, Kudos guarantee the enclosure will not leak under normal showering use, ie. when the shower head is in it's normal showering position.
NB - Using the shower head to clean/rinse down the enclosure does not constitute normal showering use.